

HAW Hamburg in cooperation with DGLR, RAeS, ZAL und VDI invites to a lecture

Cabin Acoustics in Aircraft Research

Dr.-Ing. **Christian Thomas**, Interior Noise R&T, Airbus, Hamburg

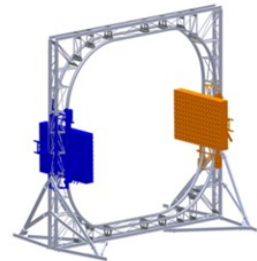
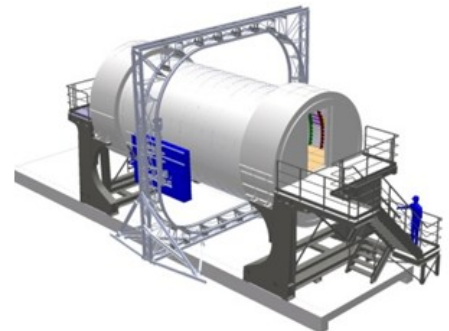
Lecture followed by
discussion

No registration required !
Entry free !

Date: Thursday, 04.04.2019, 18:00
Location: HAW Hamburg
Berliner Tor 5
Hörsaal 01.13

Interior noise is of high importance when it comes to the acoustic design of passenger aircraft. The way passengers perceive the interior noise environment is an element of passenger comfort and part of the attractiveness on an airline. The presentation gives an overview of cabin noise aero-vibro-acoustic investigations of civil aircraft. In order to derive efficient noise control measures, it is essential to understand the noise source, the general excitation of the aircraft, the coupling into the fuselage and the transmission in detail. To come to this deep understanding many systematic investigations are necessary. Since the necessary high number of flight tests cannot be arranged, it is necessary to reproduce the in-flight situation in the laboratory under controlled conditions.

Dr. Thomas is managing all R&T interior noise activities and all interior noise activities for the A320 single aisle family at Airbus Operations GmbH. He received a Ph.D (Dr.-Ing.) and a degree (Dipl.-Ing.) in Mechanical Engineering from Hamburg University of Technology (TUHH).



The Acoustic FlightLAB is an experimental platform and a simulation platform enabling flight test on the ground. (Source: Thomas)

HAW
DGLR
RAeS

Prof. Dr.-Ing. Dieter Scholz
Dr.-Ing. Martin Spieck
Richard Sanderson

Tel.: (040) 42875-8825
Tel.: (040) 9479-2855
Tel.: (04167) 92012

info@ProfScholz.de
Martin.Spieck@thelsys.de
events@raes-hamburg.de



**DGLR Bezirksgruppe Hamburg
RAeS Hamburg Branch
ZAL TechCenter
VDI Hamburg, Arbeitskreis L&R**

http://hamburg.dglr.de
http://www.raes-hamburg.de
http://www.zal.aero/veranstaltungen
http://www.vdi.de



Die **Hamburg Aerospace Lecture Series** (<http://hav-connect.aero/Group/Lectures>) wird gemeinsam veranstaltet von DGLR, RAeS, ZAL, VDI und HAW Hamburg (Praxis-Seminar Luftfahrt, PSL). Der Besuch der **Veranstaltung ist steuerlich absetzbar**. Bringen Sie dazu bitte eine ausgefüllte Teilnahmebestätigung zur Unterschrift zum Vortrag mit. Mittels **E-Mail-Verteilerliste** wird über aktuelle Veranstaltungen informiert. **Vortragsunterlagen** vergangener Veranstaltungen, aktuelles **Vortragsprogramm**, Eintrag in E-Mail-Verteilerliste, Vordrucke der Teilnahmebestätigung: Alle Services über das Internet: <http://hamburg.dglr.de>.